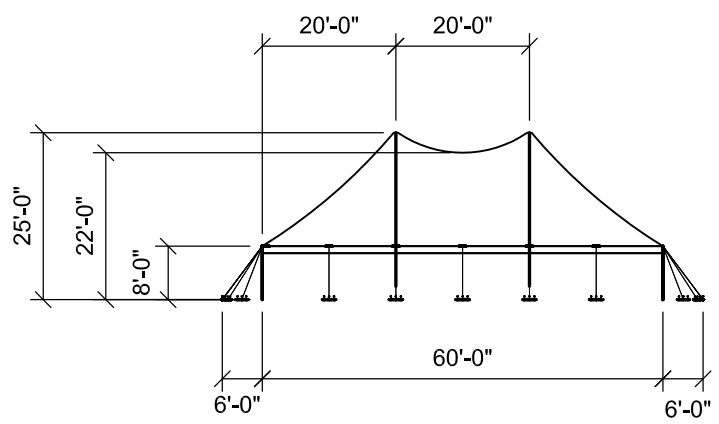
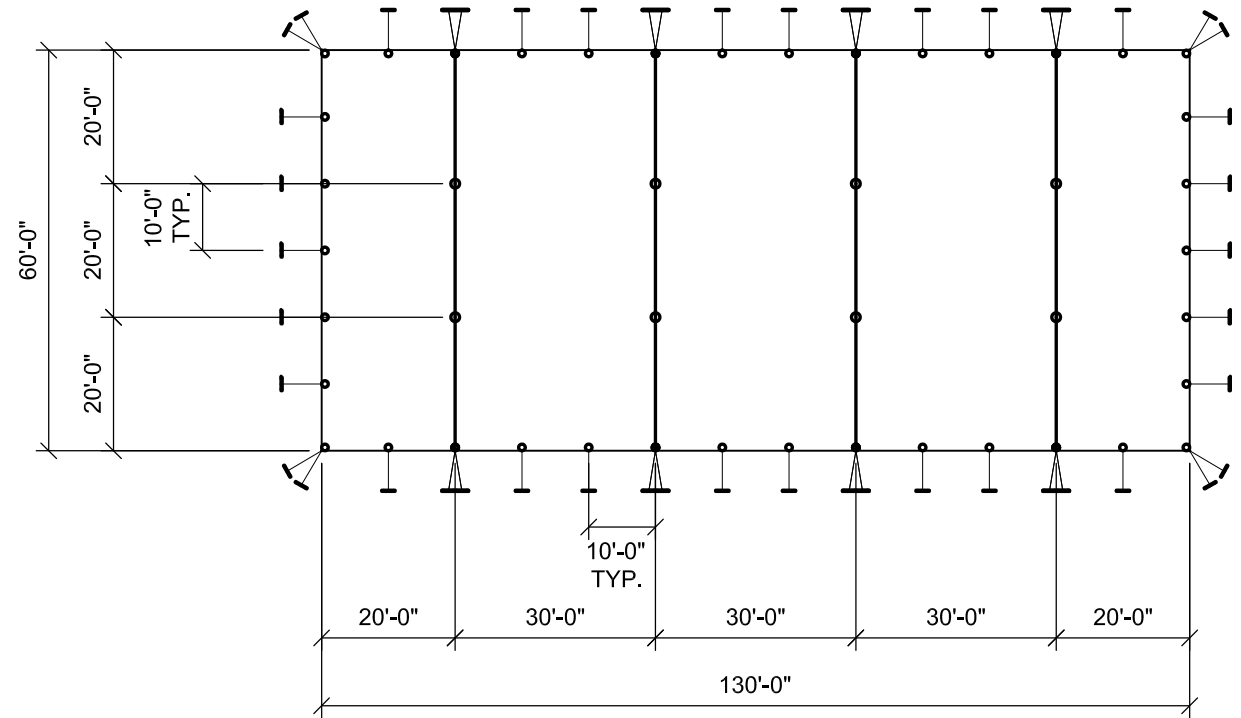


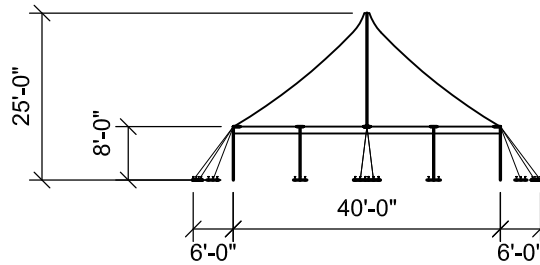
**PLAN**



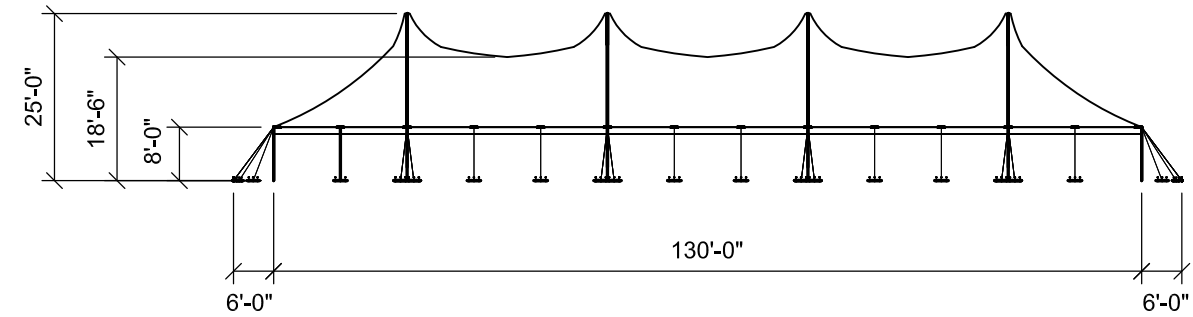
**END ELEVATION**



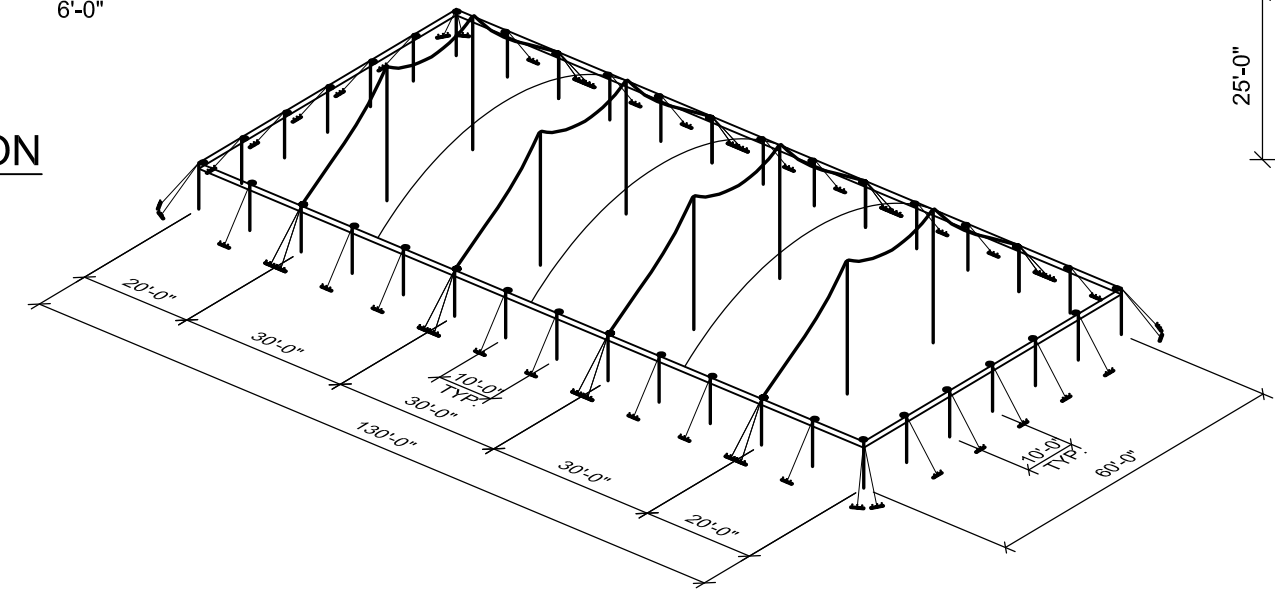
**PLAN**



**SIDE ELEVATION**



**SIDE ELEVATION**



**ISOMETRIC**

**NOTES:**

1. GUY WEBS THROUGHOUT.
2. 10'-0" SIDE POLE SPACING.
3. 8'-0" EAVE HEIGHT SHOWN.
4. REF. B2-60M REV. 7-31-06.
5. NON-STANDARD STAKING SHOWN.
6. SEE THE I.F.A.I. STAKING GUIDE ON OUR WEBSITE ([WWW.ANCHORINC.COM](http://WWW.ANCHORINC.COM)) FOR SOIL IDENTIFICATION & PULL-OUT CAPACITY OF STAKES.

REVISIONS			ANCHOR INDUSTRIES INC.		
EC/PR NO.	DATE	BY			
DRAWN BY: DMK		CHECKED BY:		DRAWING NO.	
APPROVED BY:		EC/PR NO.	DATE: 07-13-2015	06-253-3-5-8FT	